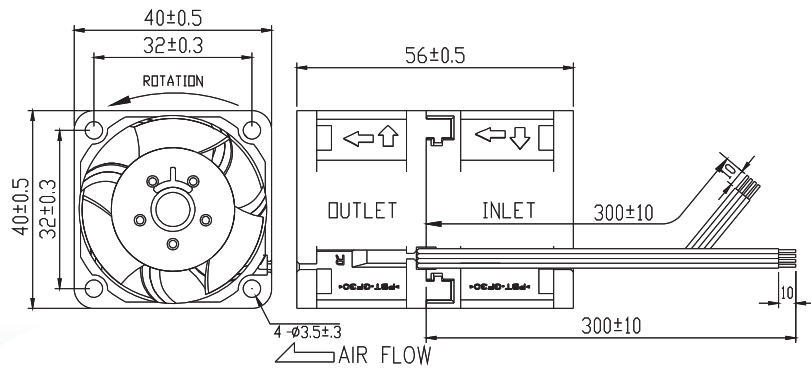




AS4056 SERIES

External Dimensions



Frame: Plastic(UL:94V-0)
 Impeller: Plastic(UL:94V-0)
 Lead wire: UL1061AWG26

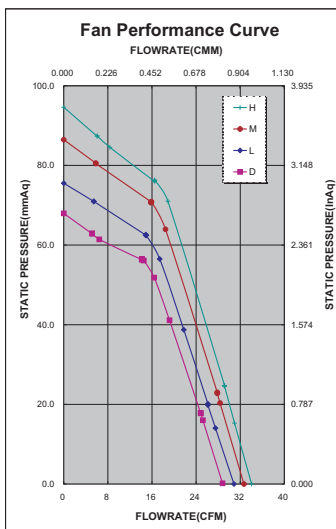
Specifications(Nominal)

*Noise is measured at the distance of one (1) meter from the axis of intake.

Bearing type: ⊙=Ball ⊛=Sleeve ●=Hypro bearing

Frame size (mm)	Model No.	Bearing System Type	Rated Voltage (VDC)	Current (A)	Power (W)	Rated Speed (rpm)	Maximum AirFlow (CMM)	Maximum AirFlow (CFM)	Maximum Pressure (InAq)	Maximum Pressure (mmAq)	*Noise Level (dB/A)	Weight (g)
40x40x56	AS04012LB565BA2	⊙	12	1.03	12.36	In:16500/ Out:21000	0.815	28.795	2.675	67.95	71.0	103.0
	AS04012MB565BA2	⊙	12	1.16	13.92	In:17500/ Out:22000	0.874	30.867	2.973	75.53	71.7	
	AS04012HB565BA2	⊙	12	1.32	15.84	In:18500/ Out:23000	0.925	32.673	3.403	86.44	72.5	
	AS04012UB565BA2	⊙	12	1.60	19.20	In:19500/ Out:24000	0.964	34.052	3.724	94.60	73.5	

Specifications subject to change without notice.



*Motor protective circuit and third lead wire functions

0	1	2	3	4	6	7	8	9	A	B
	✓	✓	✓							✓

*Safety approvals

✓	✓		✓	✓